

### Introduction

AH465 is designed and produced using CMOS technology. It is a south pole (AH465UA) or north pole (AH465SU) sensitive low-power omnipolar Hall effect switch. The device integrates a voltage regulator, a Hall voltage generator, a small signal amplifier, a chopper regulator, and schmitt-trigger and push-pull output. The sensor has the characteristics of good temperature stability, strong stress resistance and high sensitivity, and its operating voltage is 2.5-5.5V.

AH465 provides TO-92S in-line package and SOT23-3L package. Both packages meet RoHS environmental protection standards.

### Features

- Micro-power battery-powered applications
- Highest ESD performance up to  $\pm 6kV$
- Omnipolar output switch
- Push-pull output
- Operating voltage 2.5-5.5V

### application

- Solid state switch
- Cordless mobile phone reminder switch
- Flip phone screen saver switch
- Proximity switch
- Magnetic sensor switch with low duty cycle instead of reed
- Level gauge

### Package



## Ordering Information

Partnumber	package	Packing	Ambient, TA
AH465UA	TO92S	Bulk, 1000 pieces/bag	-40°C to 85°C
AH465SU	SOT23-3L	Reel, 3000pieces/reel	-40°C to 85°C

## Limit parameters

The limit parameter is the limit value when the chip is applied. Exceeding the limit value may damage the chip. Although the function of the chip is not necessarily damaged when the limit parameter is exceeded, if the limit value is exceeded within a certain period of time, the reliability of the chip may be affected.

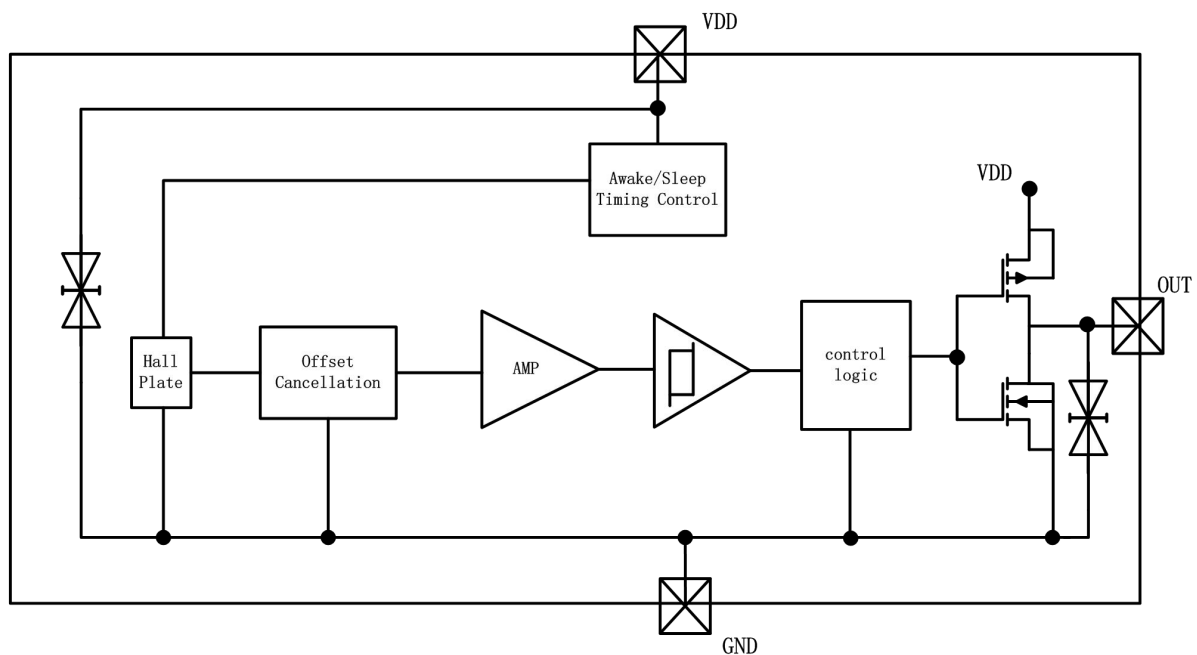
Parameter	Symbol	Value	Units
Supply voltage	VDD	6.0	V
Reverse voltage	VDD	-0.3	V
Output Sink Current	I <sub>sink</sub>	5	mA
Output Voltage	V <sub>out</sub>	6.0	V
Operating temperature range	T <sub>a</sub>	-40~85	°C
Storage temperature range	T <sub>s</sub>	-50~150	°C

## Electrical and magnetic characteristics (Ta =25°C, VDD = 3V)

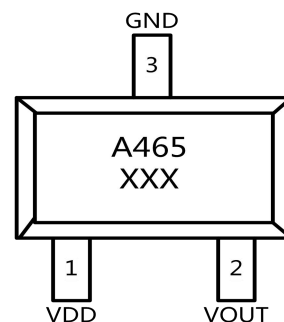
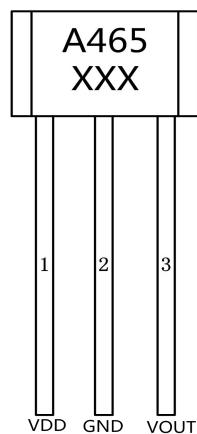
Parameter	Symbol	Test Conditions	Min	Typ	Max	Units
<b>Electrical characteristics</b>						
Operating voltage	VDD		2.5		5.5	V
Output low voltage	VOL	I <sub>out</sub> =1mA			0.2	V
Output high voltage	VOH	I <sub>out</sub> =1mA	VDD-0.2			V
Supply current	IDD			5	10	uA
Wake-up mode time	T <sub>awake</sub>	working		50	80	us
Sleep mode time	T <sub>period</sub>	working		100	150	ms
working frequ			6	10		Hz

ency						
response frequency			3	5		HZ
Magnetic characteristics						
Operate point	Bop	$B > B_{opS}$ ( $B < B_{opN}$ ), Vout On		35		Gauss
Release point	Brp	$B < B_{opS}$ ( $B > B_{opN}$ ), Vout Off		25		Gauss
Hysteresis	Bhys	$ B_{op} - B_{rp} $		10		Gauss

## Function diagram



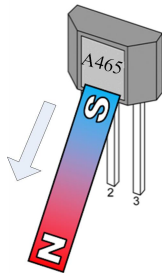
## Pin Description



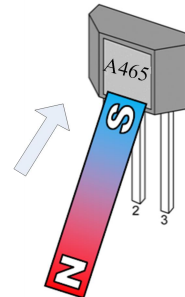
## TO92S

## SOT23

application example



VOUT= High

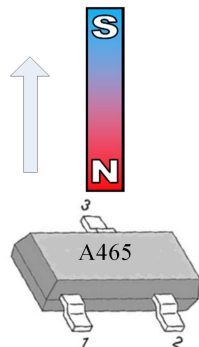


VOUT= Low

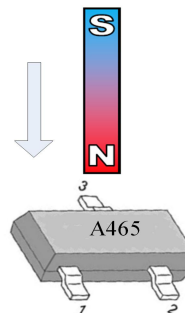
TO92S (AH465UA)

TO92S 引脚说明

Name	Pin number	Description
VDD	1	Power supply
Vout	2	Ground
GND	3	Output



VOUT= Low



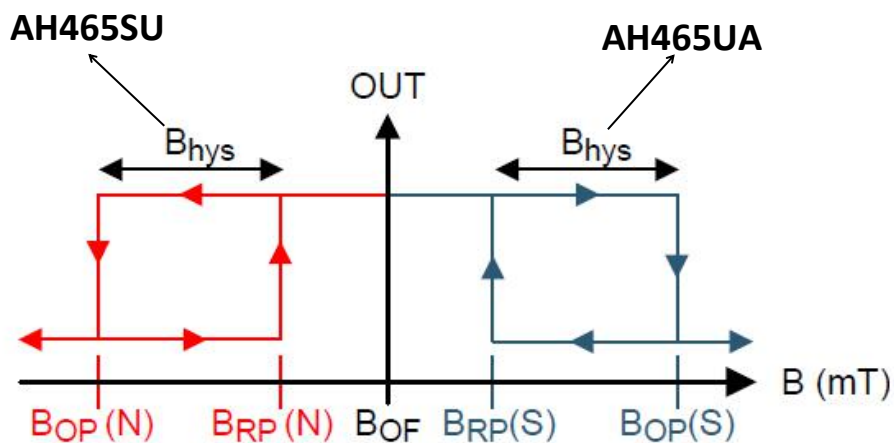
VOUT= High

SOT23 (AH465SU)

SOT23 Pin description

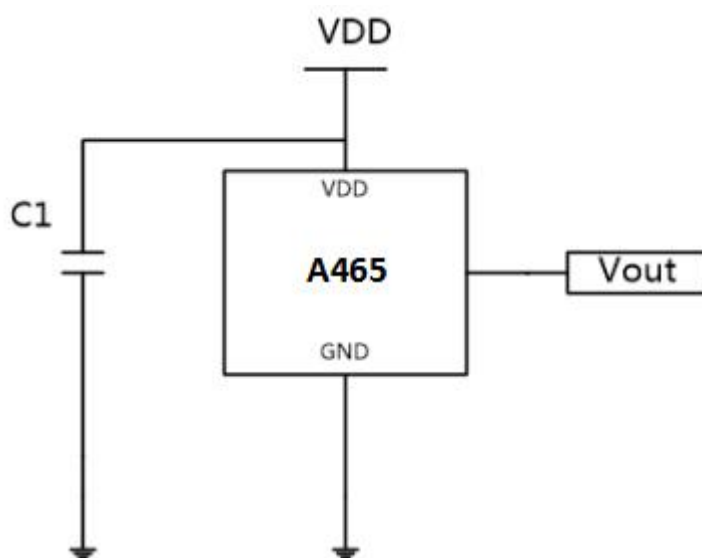
Name	Pin number	Description
VDD	1	Power supply
Vout	2	Output
GND	3	Ground

## Output Behavior



## Application Circuits

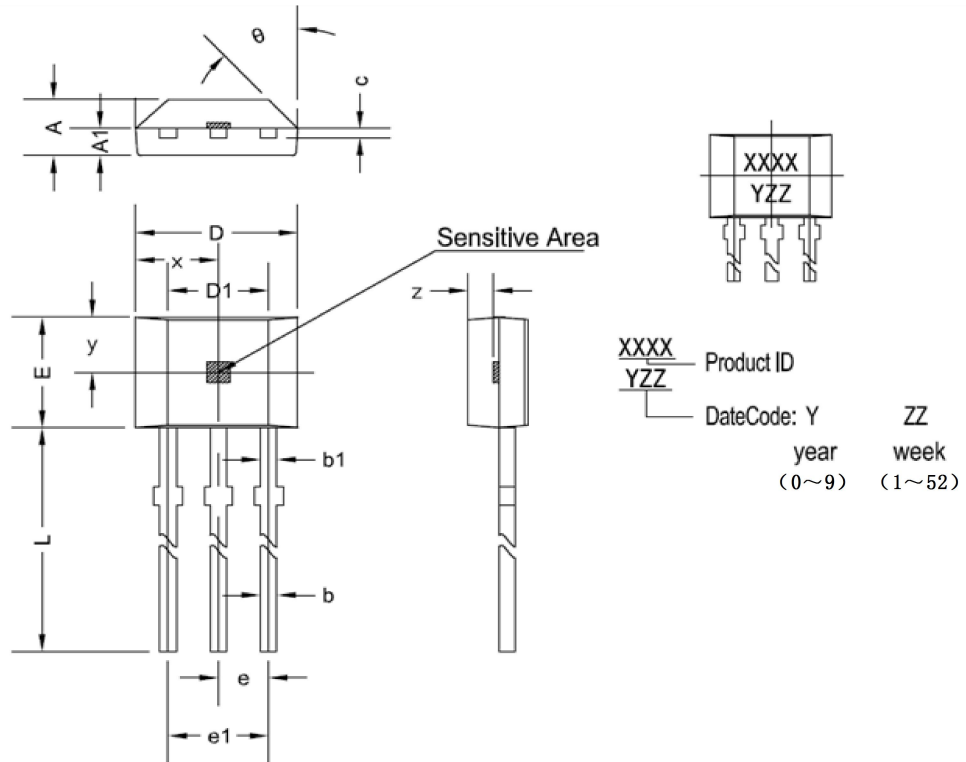
$C1=2.2\mu F$



typical application circuit

## Package dimensions

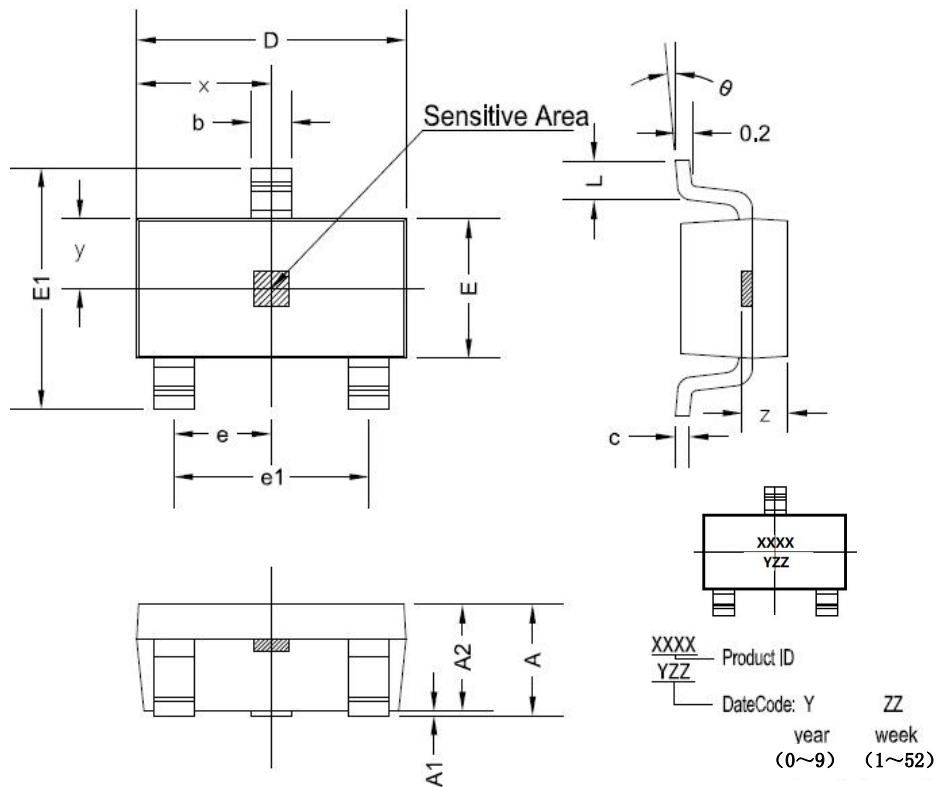
TO92S



## TO92S dimensions

symbol	Size (mm)		Size (in inches)	
	minimum	maximum	minimum	maximum
A	1.42	1.67	0.056	0.066
A1	0.66	0.86	0.026	0.034
b	0.35	0.56	0.014	0.022
b1	0.4	0.55	0.016	0.022
C	0.36	0.51	0.014	0.02
D	3.9	4.2	0.154	0.165
D1	2.97	3.27	0.117	0.129
E	2.9	3.28	0.114	0.129
e	1.270 TYP		0.050 TYP	
e1	2.44	2.64	0.096	0.104
L	13.5	15.5	0.531	0.61
x	2.025TYP		0.080TYP	
y	1.545TYP		0.061TYP	
z	0.500TYP		0.020TYP	
$\theta$	45°TYP		45°TYP	

### SOT23



### SOT23 dimensions

symbol	Size (mm)		Size (in inches)	
	minimum	maximum	minimum	maximum
A	1.05	1.25	0.041	0.049
A1	0	0.1	0	0.004
A2	1.05	1.15	0.041	0.045
b	0.3	0.5	0.012	0.02
c	0.100	0.2	0.004	0.008
D	2.82	3.02	0.111	0.119
E	1.5	1.7	0.059	0.067
E1	2.65	2.95	0.104	0.116
e	0.950 TYP		0.037 TYP	
e1	1.8	2	0.071	0.079
L	0.3	0.6	0.012	0.024
x	1.460TYP		0.057TYP	
y	0.800TYP		0.032TYP	
z	0.600TYP		0.024TYP	
θ	0°	8°	0°	8°

Copyright ©2020, Alfa Electronics Co.,Ltd

Alfa Electronics Co.,Ltd reserves the right to make, from time to time, such departures from the detail specifications as may be required to permit improvements in the performance, reliability, or manufacturability of its products. Before placing an order, the user is cautioned to verify that the information being relied upon is current.

Alfa's products are not to be used in any devices or systems, including but not limited to life support devices or systems, in which a failure of Alfa's product can reasonably be expected to cause bodily harm.

The information included herein is believed to be accurate and reliable. However, Alfa Electronics Co.,Ltd assumes no responsibility for its use; nor for any infringement of patents or other rights of third parties which may result from its use.