

Introduction

The AH70X / AH71X is a speed&direction Hall sensor family with two Hall sensing elements. It outputs two digital signals for speed and direction processing .

The AH70X/ AH71X internally includes two Hall sensing elements located 1.63mm apart, an on-chip Hall voltage generator, voltage regulator for operation with supply voltage 3.8 to 30V, temperature compensation circuitry, small-signal amplifier, Hall sensor with dynamic offset cancellation system, Schmitt trigger and open-drain output. Signal processing of speed and direction signals is easy.

The AH70X/ AH71X family provides a variety of packages to customers: flat TO-94 for through-hole mount and SOP8 for surface mount. All packages are RoHS compliant.

Features

- 1.63mm Hall Elements Spacing
 - Magnetic Type: Bipolar Switch
 - Operating Voltage Range:Supply Voltage 3.8 to 30V
 - Highest ESD performance up to ± 5 kV
 - Reverse voltage protection
 - Specified Operating Temperature Range:From -40°C to 150°C
- Multiple Magnetic Sensitivity:
BOP=40Gauss, BRP=-40Gauss
BOP=75Gauss, BRP=-75Gauss
BOP=130Gauss, Brp=-130Gauss
- Lead Free Package
 - Flat TO94, SOP8
 - High ESD Rating
 - RoHS Compliant
 - 2011/65/EU

Applications

- Speed detection
- Direction detection
- Magnetic encoder

Package



TO-94



SOP8

Family Members

Part number	Package	Packing	Magnetic points
AH700/AH710	T094/SOP8	Bag: 1k; Tape&reel: 3K	+/-40 Gauss
AH701/AH711	T094/SOP8	Bag: 1k; Tape&reel: 3K	+/-75 Gauss
AH702/AH712	T094/SOP8	Bag: 1k; Tape&reel: 3K	+/-130 Gauss

Absolute Maximum Ratings

The absolute maximum value is the limiting value when the chip is applied, above which the chip can be damaged. Although the function of the chip is not necessarily damaged when the absolute maximum value is exceeded, the reliability of the chip may be affected if the absolute maximum value is exceeded for a certain time.

Parameter	Symbol	Value	Units
Supply voltage	VCC	40	V
Reverse voltage	VCC	-40	V
Output Sink Current	Isink	30	mA
Output Voltage	Vout	40	V
Operating temperature range	Ta	-40~150	°C
Storage temperature range	Ts	-40~165	°C

Electrical and magnetic characteristics(Ta=25°C, VCC =5.0V)

Symbol	Parameter	Test Condition	Min	Type	Max	Units
Vcc	Power supply	Operating	3.8	5	30	V
Is	Current consumption	B<Brp		8		mA
Vsat	Saturation out voltage	B=250Gauss,RL=10K ohms			0.4	V
Ioff	Output leakage current	B<Brp, Vout=24V		0.1	1	uA
Tr	Out rise time	RL=10K ohms, CL=20pF			1	uS
Tf	Out fall time	RL=10K ohms, CL=20pF			1	uS
Bop	AH700/AH710 Operate point	TA=25°C	10	40	70	Gauss
	AH701/AH711, Operate point	TA=25°C	15	75	110	Gauss
	AH702/AH712, Operate point	TA=25°C	25	130	225	Gauss
	AH700/AH710 Release point	TA=25°C	-70	-40	-10	Gauss

AH70X/AH71X series

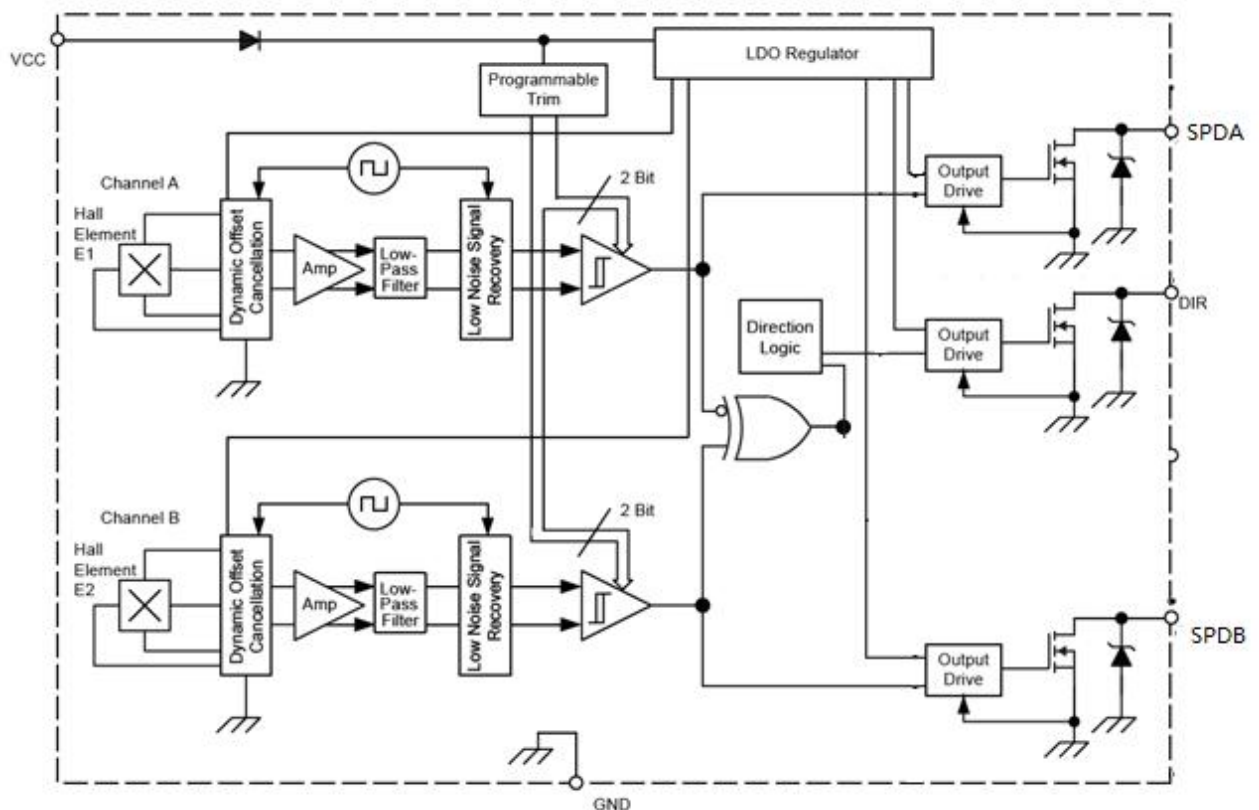
Speed & Direction Hall Sensor

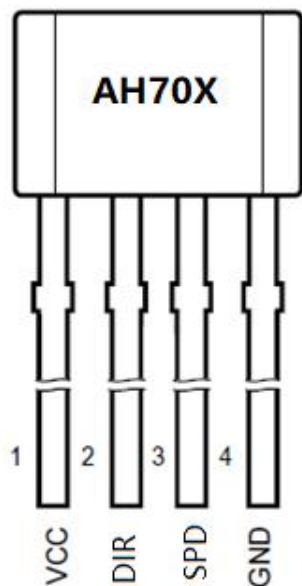
Alfa Electronics Co., Ltd

Brp	AH701/AH711, Release point	TA=25°C	-110	-75	-15	Gauss
	AH702/AH712, Release point	TA=25degC	-225	-130	-25	Gauss
Bhys	AH700, Hysteresis	TA=25degC, Bhys=Bop-Brp		80		Gauss
	AH701, Hysteresis	TA=25degC, Bhys=Bop-Brp		150		Gauss
	AH702, Hysteresis	TA=25degC, Bhys=Bop-Brp		260		Gauss
Dis	Distance of two hall elements			1.63		mm

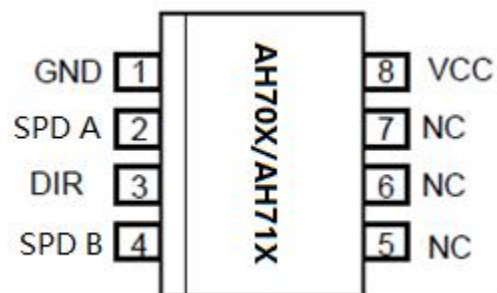
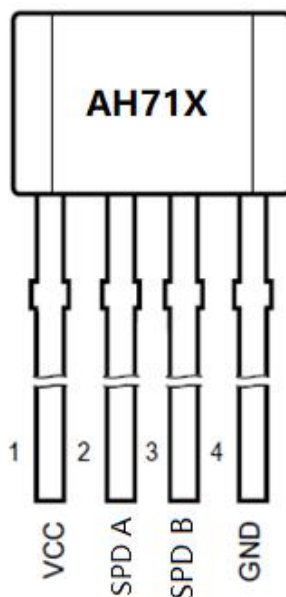
Function diagram

The AH70x/AH71X is a highly sensitive, temperature-stable magnetic sensing device ideal for use in ring-magnet-based speed and direction systems in harsh automotive and industrial environments. It contains two bipolar, Hall-effect switches precisely arranged 1.63 mm apart. The switch outputs are thus in quadrature when interfaced with the proper ring magnet design. Internal logic processes the resulting digital signals to derive speed and direction information that is presented at the device's outputs,





TO94



SOP8

Pin orientation

TO94 Pin description

Name	AH70X Pin number	AH71X Pin number	Description
VCC	1	1	Power supply
SPDA		2	Speed A
DIR	2		Direction
SPDB	3	3	Speed B
GND	4	4	Ground

SOP8 Pin description

Name	Pin number	Description
GND	1	Ground
SPDA	2	Speed A
DIR	3	Direction
SPD B	4	Speed B
NC	5	No connection
NC	6	No connection
NC	7	No connection
VCC	8	Power supply

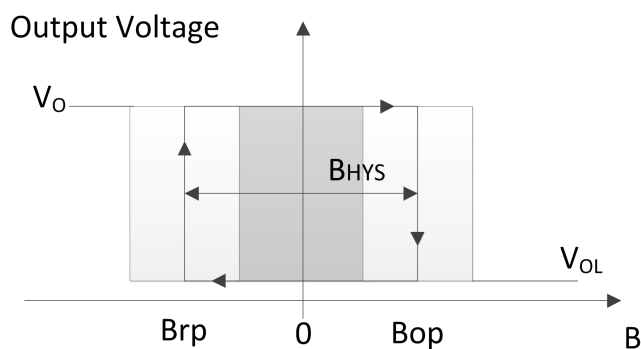
Definition of Magnetic Parameters

BOP: Operating point, magnetic flux density applied on the branded side of the package which turns the output driver ON ($V_{OUT}=LOW$)

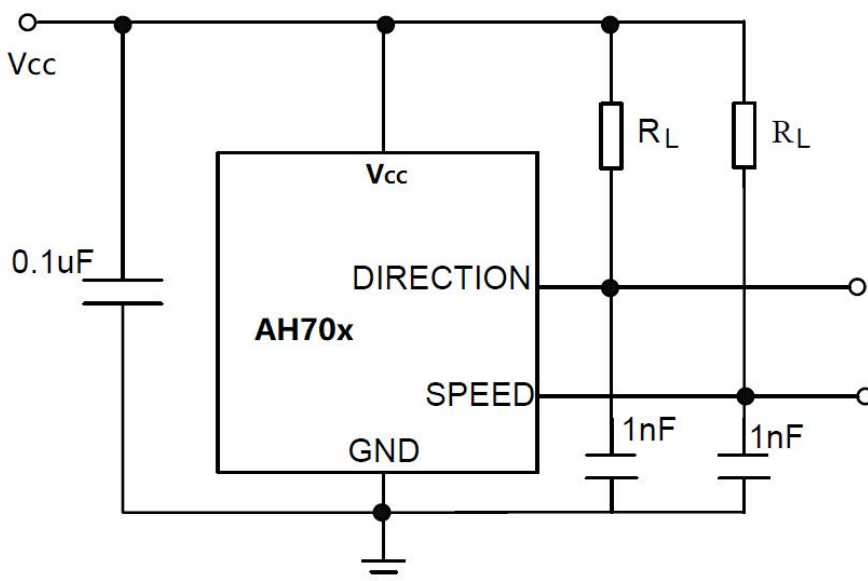
BRP: Release point, magnetic flux density applied on the branded side of the package which turns the output driver OFF ($V_{OUT}=High$)

BHYS: Hysteresis window, $|BOP-Brp|$

Output Behavior



Typical Application Circuit

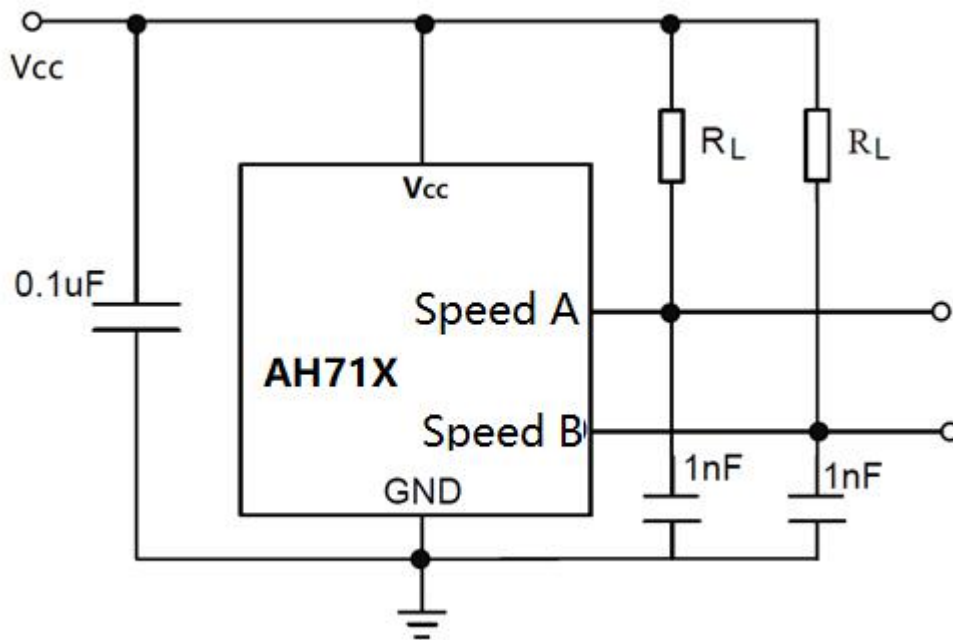


Speed/direction output

AH70X/AH71X series

Speed & Direction Hall Sensor

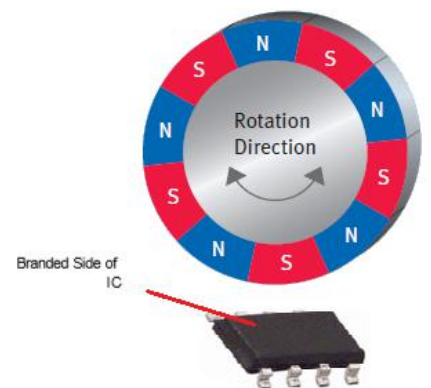
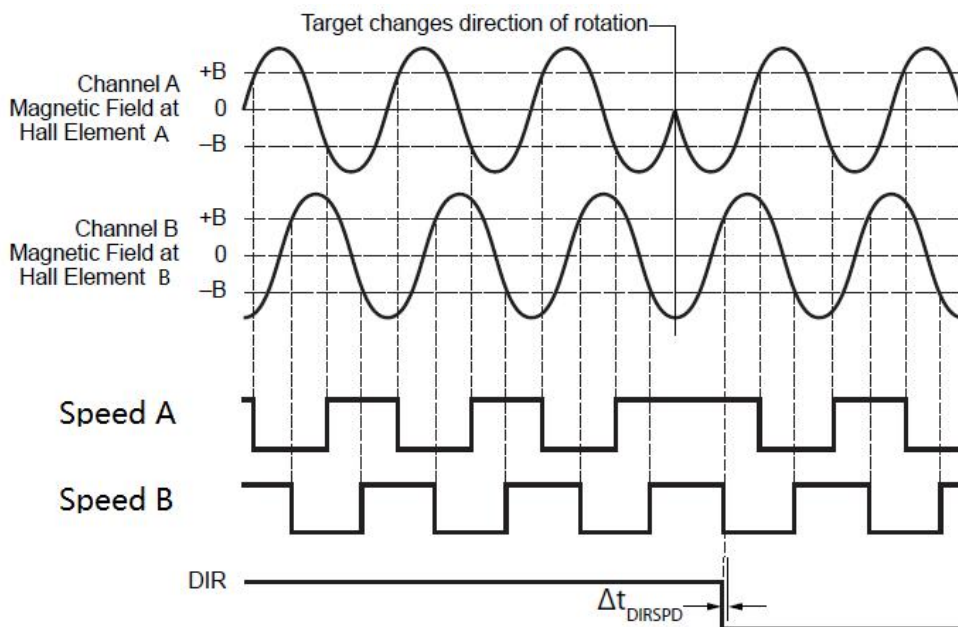
Alfa Electronics Co., Ltd



Quadrature dual channel speed output

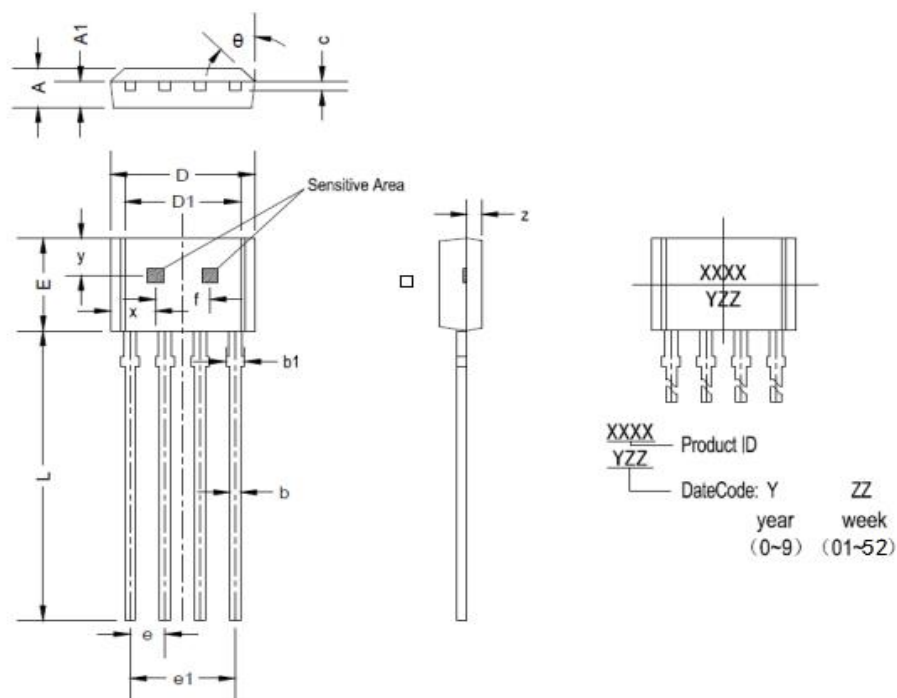
Note: R_L recommend 1Kohm to 10Kohm

Typical output waveform



Package dimensions

T094 package



Symbol	Dimensions in Millimeters		Dimensions in Inches	
	Min	Max	Min	Max
A	1.420	1.660	0.056	0.065
A1	0.660	0.860	0.026	0.034
b	0.350	0.480	0.014	0.019
b1	0.400	0.650	0.016	0.026
c	0.360	0.510	0.014	0.020
D	5.100	5.300	0.201	0.208
D1	4.100	4.300	0.161	0.169
E	3.550	3.750	0.140	0.147
e	1.267	1.273	0.050	0.050
e1	3.780	3.840	0.149	0.151
L	13.500	15.500	0.531	0.610
f	1.390	1.410	0.055	0.056
x	1.800	2.000	0.071	0.079
y	1.175	1.375	0.046	0.054
z	0.500TYP		0.020TYP	
θ	10°	12°	10°	12°

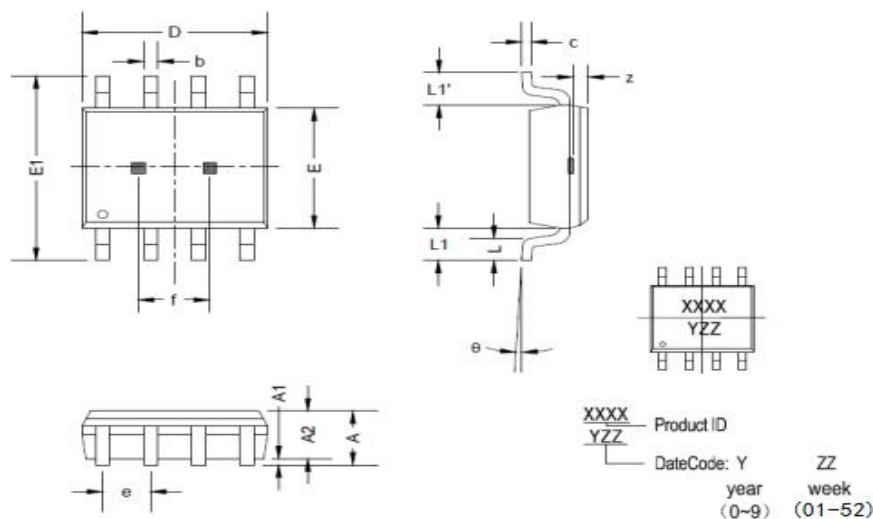
AH70X/AH71X series

Speed & Direction Hall Sensor

Alfa Electronics Co., Ltd



SOP8 package



Symbol	Dimensions In Millimeters		Dimensions In Inches	
	Min.	Max.	Min.	Max.
A	1.450	1.750	0.057	0.069
A1	0.100	0.250	0.004	0.010
A2	1.350	1.550	0.053	0.061
b	0.330	0.510	0.013	0.020
c	0.170	0.250	0.007	0.010
D	4.700	5.100	0.185	0.201
E	5.800	6.200	0.228	0.244
E1	3.800	4.000	0.150	0.157
e	1.270(BSC)		0.050(BSC)	
L	0.400	1.270	0.016	0.050
θ	0°	8°	0°	8°

Copyright ©2018, Alfa Electronics.Co., Ltd

Alfa Electronics.Co.,Ltd reserves the right to make, from time to time, such departures from the detail specifications as may be required to permit improvements in the performance, reliability, or manufacturability of its products. Before placing an order, the user is cautioned to verify that the information being relied upon is current.

Alfa's products are not to be used in any devices or systems, including but not limited to life support devices or systems, in which a failure of Alfa's product can reasonably be expected to cause bodily harm.

The information included herein is believed to be accurate and reliable. However, Alfa Electronics.Co.,Ltd assumes no responsibility for its use; nor for any infringement of patents or other rights of third parties which may result from its use.